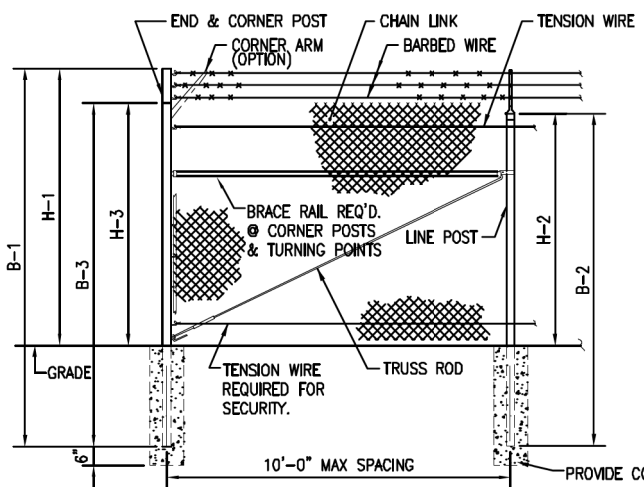
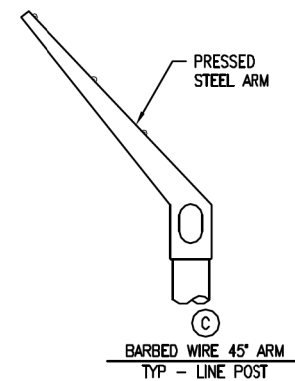


SINGLE LEAF GATES		
OPENING	GATE POSTS	HINGE SPACE (S)
FACE TO FACE	SQ & RND SIZES	POST TO UPRIGHT
3'-0" THROUGH 6'-0"	2 1/2" SQ OR 2.875" OD	FOR SQUARE & ROUND GATE POSTS: 2 1/4"
7'-0" THROUGH 10'-0"	3" SQ OR 4" OD	FOR SQUARE & ROUND GATE POSTS: 2 1/4"
11'-0" THROUGH 12'-0"	4" SQ OR 4" OD	FOR SQUARE & ROUND GATE POSTS: 2 1/4"

SINGLE OR DOUBLE LEAF GATES		
NOM HEIGHT (H)	UPRIGHT HT (U)	FRAME HT (F)
NOM HT INCLUDING BARBED WIRE	ACTUAL DIM	ACTUAL DIM
8'-0"	7'-10"	6'-8 1/2"

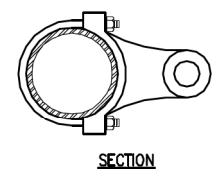
TYPICAL SWING GATE ELEVATIONS- DOUBLE W/ (4) BAYS & SINGLE SHOWN
NOT TO SCALE

NOTE: FENCE DETAILS SHOWN ON THIS SHEET SHALL BE USED TO CONSTRUCT FENCE ALONG FT. SILL MILITARY RESERVE. NEW FENCE SHALL BE CONSTRUCTED AND PERIMETER SECURED PRIOR TO REMOVAL OF EXISTING FENCE.

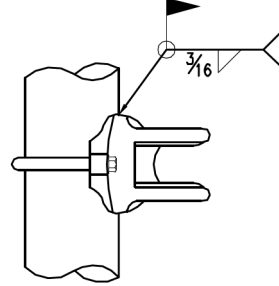


FENCE HEIGHT	
NOM HT INCLUDING BARBED WIRE	
8'-0"	
UPRIGHT END & CORNER POSTS	
B-1 BAR LENGTH	H-1 HEIGHT ABOVE GRADE
11'-0"	8'-0 5/8"
LINE POSTS	
B-2 BAR LENGTH	H-2 HEIGHT ABOVE GRADE
9'-8"	6'-8 7/8"
CORNER POSTS WITH CORNER ARM	
B-3 BAR LENGTH	H-3 HEIGHT ABOVE GRADE
10'-0"	7'-0 5/8"

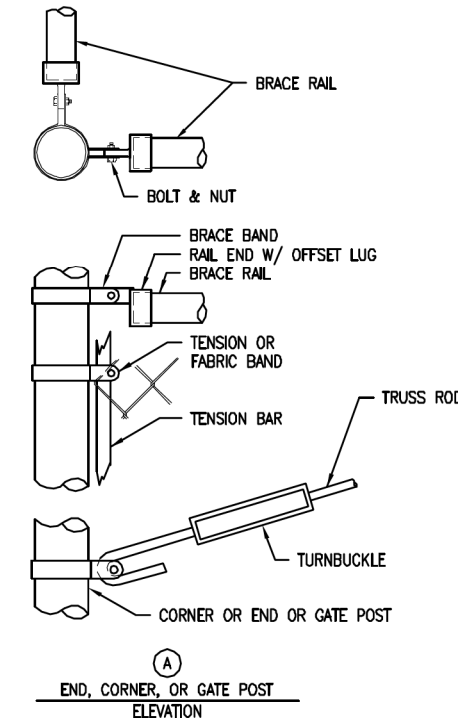
TYPICAL HIGH FENCE SECTION ELEVATION
NOT TO SCALE



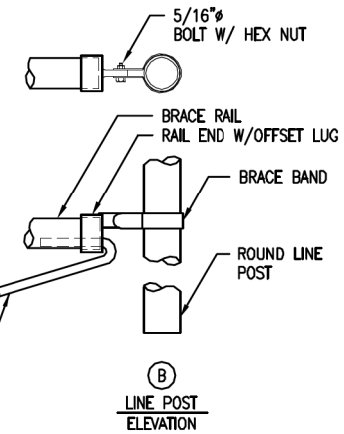
(*) NOTE: WELD HINGES TO POST IF INSTALLING CABLE REINF. ON GATES. ENSURE CORRECT GATE HEIGHT FOR FULL OPERATION PRIOR TO WELDING (TYPICAL).



DETAIL: ROUND POST HINGE
NOT TO SCALE



ROUND POST DETAILS
NOT TO SCALE



NOTES
1. ALL GALVANIZED FITTINGS TO CONFORM TO ASTM-A153.

DESIGN	AKS	6/13	1-44 & US-62 INTERCHANGE
DRAWN	BWH	6/13	
CHECKED	JES	5/17	
APPROVED			
SQUAD	GARVER		

MISCELLANEOUS DETAILS
(SHEET 2 OF 3)